

Technische Daten

Pumpenname DW VOX 200

Besteller	Datum 04-July -2019	Firma
Ansprechpartner	Art.-Nr. 1.1	Issued by
Telefon	Projekt	Telefon
E-Mail	Projektname EBARA Pump Selector-2180165	E-Mail

Requested data

1	Pumpenbezeichnung	SUBMERSIBLE SEWAGE PUMPS	Fluid	Wasser, rein
2	Pumpenanzahl / Reserve	1 / 0	Mediumtemperatur	°C 20
3	Förderstrom	m³/h 0	Kinematische Viskosität	mm²/s 1
4	Förderhöhe	m 0	Dampfdruck	bar 0,022
5	Geodätische Höhe	m 0	PH Wert	7
6	Vordruck	bar 0,1	Dichte	kg/dm³ 1
7	Available system NPSH	0	Feststoffe	Weight % 0
8	Umgebungstemperatur	°C 20		

Pumpe

9	Pumpenname	DW VOX 200	Frequenz	Hz 50
10	Bauart	SUBMERSIBLE SEWAGE PUMPS	Installationsart	STANDARD
11	Hersteller	EPE	Laufrad Durchmesser	Max. mm 103
12	Drehzahl	1/min 2800		Designed mm 103
13	No. of Stage	1		Min. mm 103
14	Anschluß Saugseite	UNI ISO 228	Förderstrom	Operating m³/h
15	Anschluß Druckseite	UNI ISO 228		Max- m³/h 42
16	Max Working Pressure	bar		Min- m³/h 6
17	Shut-off head	bar 1,35	Förderhöhe	Operating m
18	Gesamtgewicht	kg See the table of "Dimensions".		- (Qmax.) m 1,6
19	Wellenleistung	kW		- (Qmin.) m 12,5
20			Max. Shaft Power at max. impeller	kW
21	NPSH - Wert	m	Efficiency	%

Materials

22	Fließeelrad	AISI 304	
23	Spiralgehäuse	AISI 304	
24	Welle	AISI 303 (Wet extension)	
25			
26			
27			

Motor

28	Hersteller	EPE Standard	Isolierklasse	F
29	Typ	DW VOX 200_400_Three Phase	Phasen	3~
30	Ausführung	Submersible dry type / 50 Hz / Polpaarzahl 1	Baugröße	
31	Leistung	kW 1,5	Gewicht	kg 0
32	Polzahl	2	El. Spannung	V 400
33	Drehzahl	1/min 2800	El. Stromstärke	A 3,3
34	Schutzart	IP X8		
35				

Remarks

Kennlinie

Pumpenname DW VOX 200

Besteller	Datum 04-July-2019	Firma
Ansprechpartner	Art.-Nr.	Issued by
Telefon	Projekt	Telefon
E-Mail	Projektnummer EBARA Pump Selector-2180165	E-Mail

Requested data

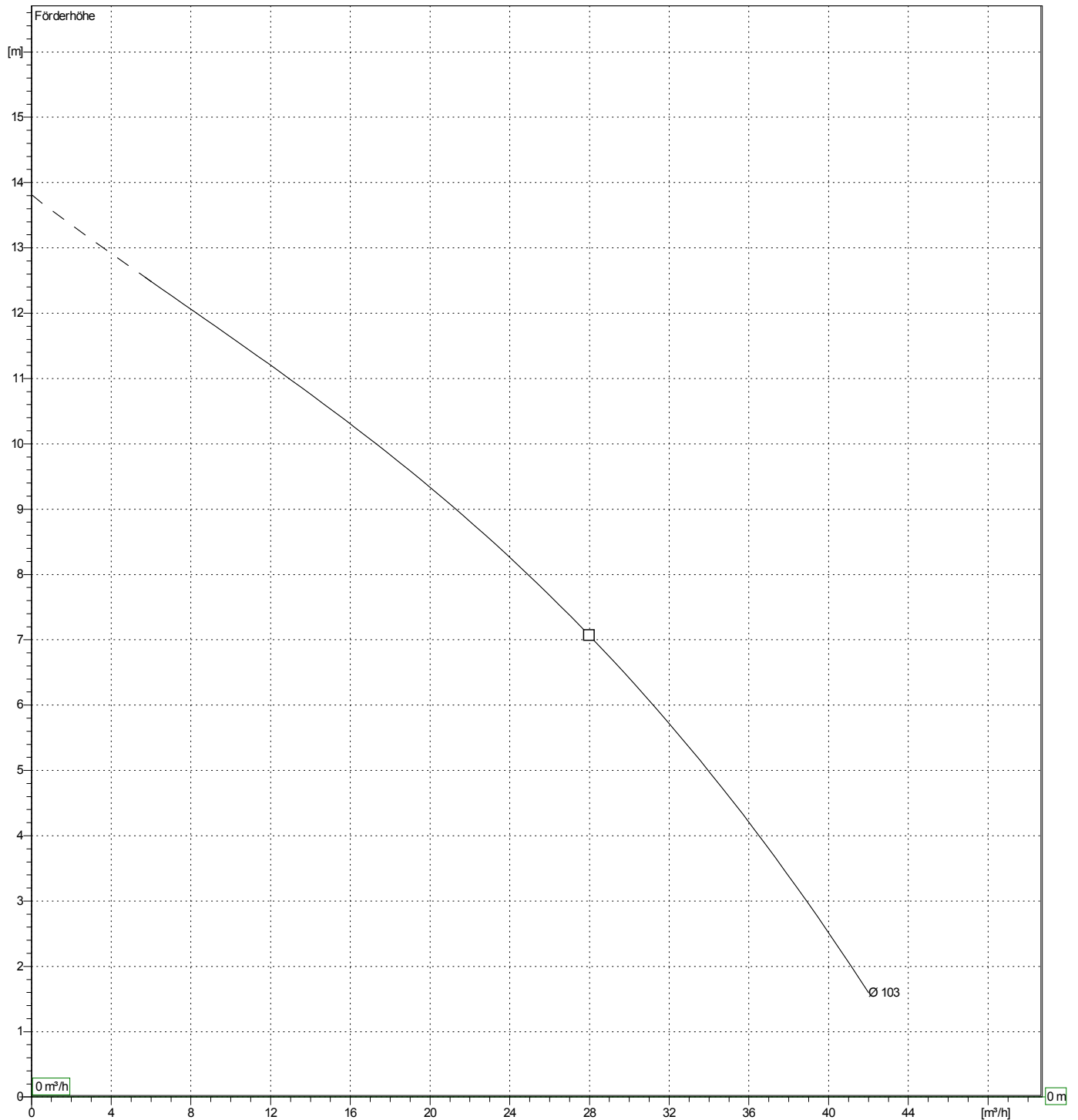
1	Förderstrom	m³/h	0
2	Förderhöhe	m	0
3	Geodätische Höhe	m	0

Pumpe

Operating Flow	m³/h	Frequenz	Hz	50
Operating Head	m	Polzahl	2	
Laufrad Durchmesser	Designed mm	Drehzahl	1/min	
	103			

Teststandard: ISO 9906:2012 - Grad3B

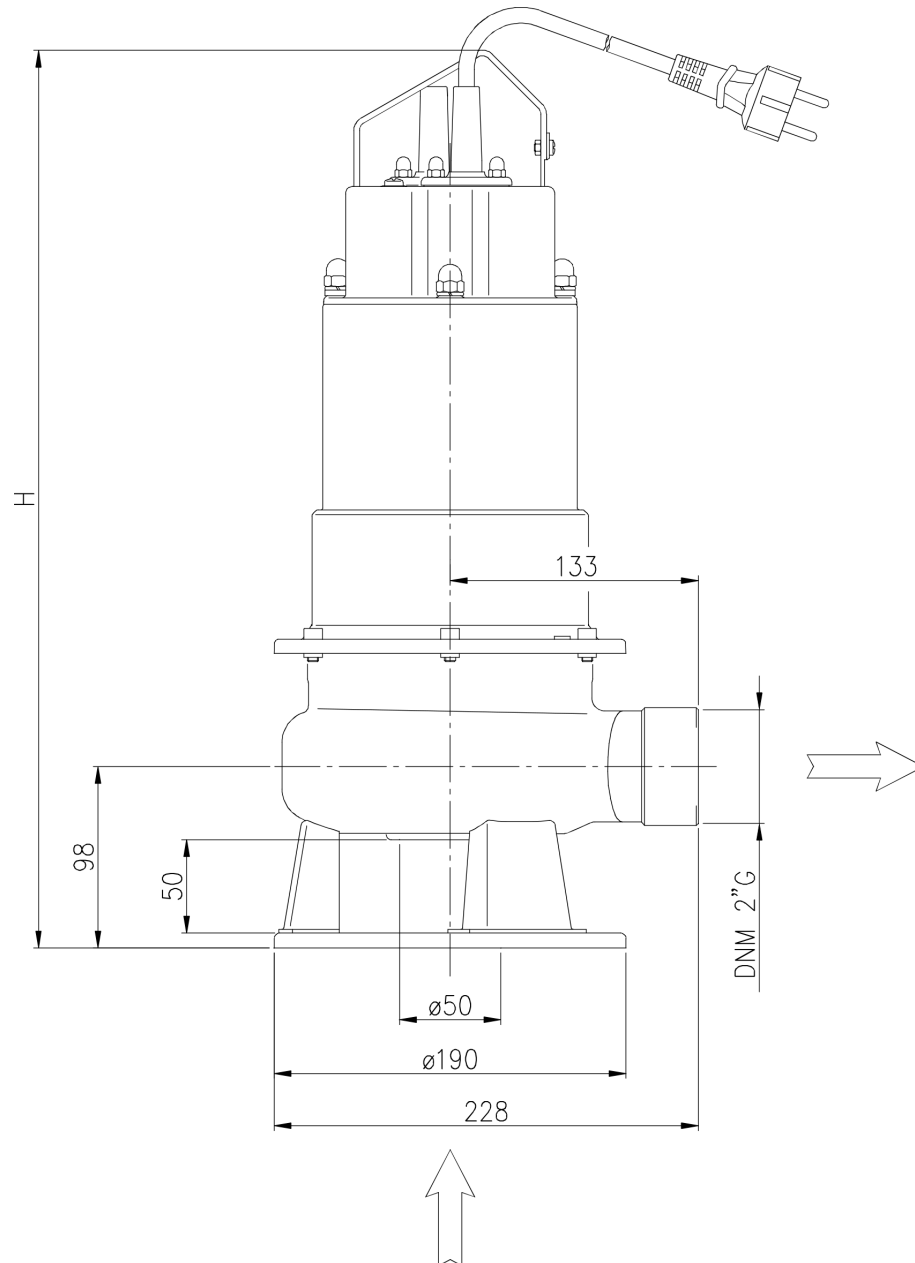
Wasser, rein [100%] ; 20°C; 0,9983kg/dm³; 1mm²/s



Abmessungen

Pumpenname DW VOX 200

Besteller	Datum 04-July-2019	Firma
Ansprechpartner	Art.-Nr.	Issued by
Telefon	Projekt	Telefon
E-Mail	Projektname EBARA Pump Selector-2180165	E-Mail

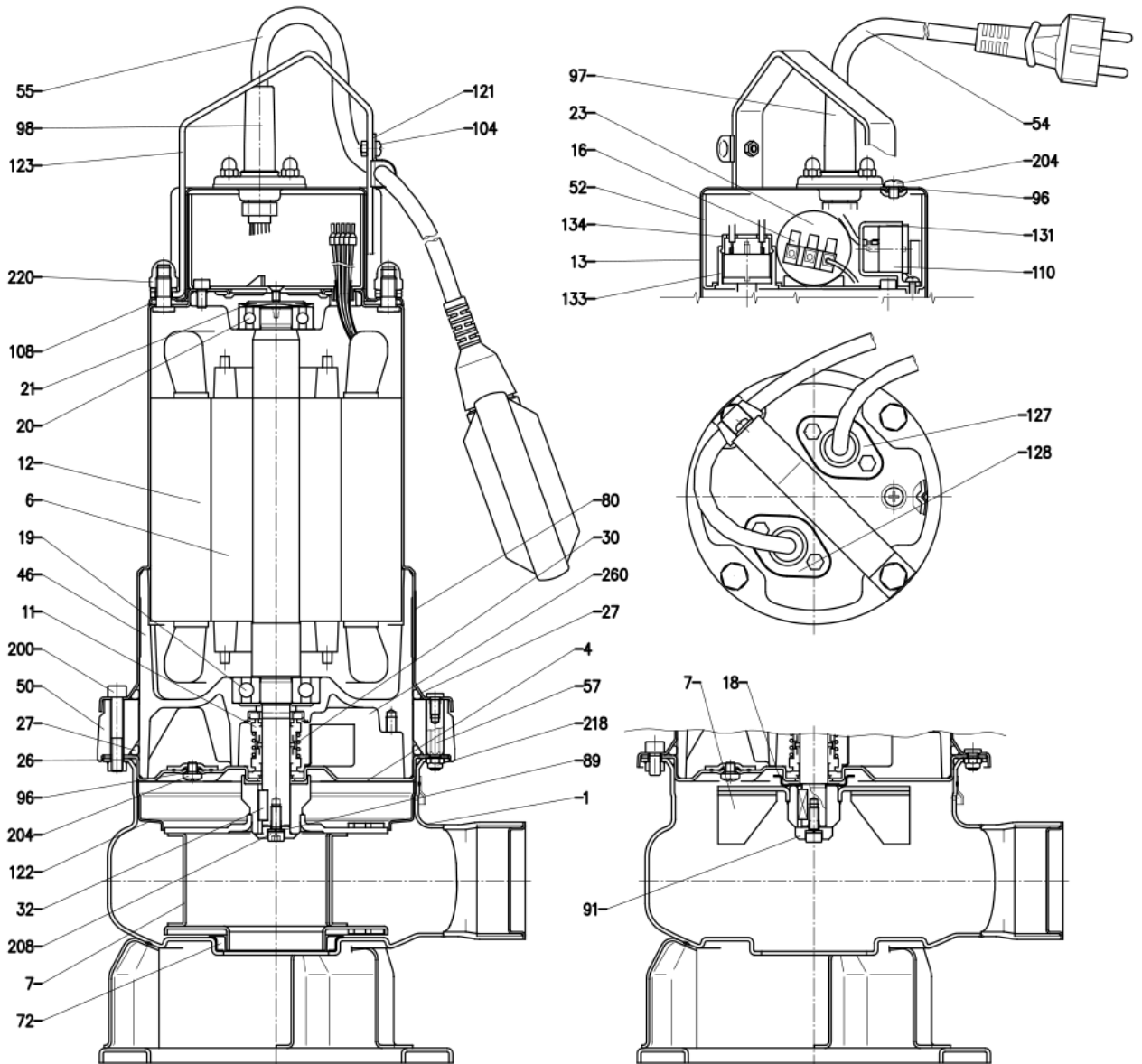


Abmessungen in mm							
1	H	516					
2	Weight PUMP	19.6 kg					

(1/3) Konstruktion

Pumpenname DW VOX 200

Besteller	Datum 04-July-2019	Firma
Ansprechpartner	Art.-Nr.	Issued by
Telefon	Projekt	Telefon
E-Mail	Projektname EBARA Pump Selector-2180165	E-Mail



(2/3)

Konstruktion

Pumpenname DW VOX 200

Besteller	Datum 04-July-2019	Firma
Ansprechpartner	Art.-Nr.	Issued by
Telefon	Projekt	Telefon
E-Mail	Projektname EBARA Pump Selector-2180165	E-Mail

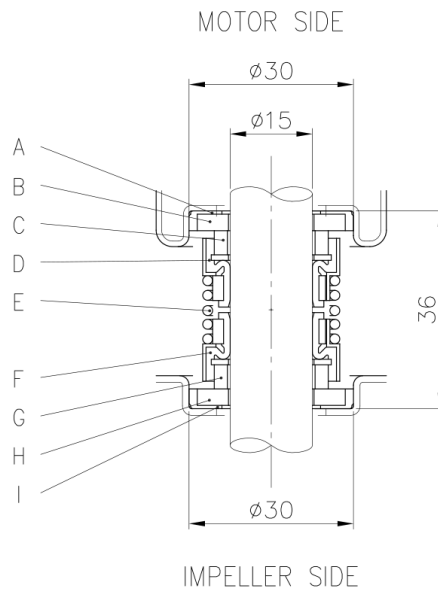
N°	PART NAME	MATERIAL	Q.TY
1	Casing	AI SI 304	1
4	Casing cover	AI SI 304	1
6	Shaft w ith rotor	AI SI 303	1
7	Impeller	AI SI 304	1
11	Mechanical seal [8]	SiC/SiC/NBR	1
11	Mechanical seal [8]	Carbon/Ceramic/NBR	1
12	Motor frame w ith stator	-	1
13	Motor cover	AI SI 304	1
16	Terminal	-	1
18	Mechanical seal protection [1]	AI SI 304	1
19	Low er side ball bearing	-	1
20	Upper side ball bearing	-	1
21	Adjusting ring	Steel C70	1
23	Capacitor [2]	-	1
26	O ring	NBR	1
27	O ring	NBR	1
27	O ring [3]	NBR	1
30	Mechanical seal spacer	Brass	1
32	Key	AI SI 304	1
46	Bearing housing	G20	1
50	Spacer [3]	G20	1
52	Terminal insulating box	PA66 glass fibre reinforced class V-0	1
54	Pow er cable	-	1
55	Float sw itch [4]	-	1
57	Spacer [3]	AI SI 304	4
72	Casing ring [5]	NBR	1
89	Washer	AI SI 304	1
91	Washer [1]	AI SI 304	1
96	O ring	NBR	3
97	Pow er cable entry	NBR	1
98	Floating sw cable entry [4]	NBR	1
104	Cable guard [4]	NBR	1
108	Cover gasket	NBR	1
110	Protector [2]	-	2
121	Support for float sw itch [4]	AI SI 304	1
122	Impeller protection ring [6]	AI SI 304	1
123	Handle	AI SI 304	1
127	Pow er cable connector	AI SI 304	1
128	Floating sw . cable connector	AI SI 304	1
131	Support for protector	PA66 glass fibre reinforced	1
133	Support for probe	Aluminium	1
134	Cover for support probe	PA6	1
200	Screw	Stainless steel A2 UNI 7323	6
204	Screw	Stainless steel A2 UNI 7323	3
208	Screw	Stainless steel A2 UNI 7323	1
218	Nut	Stainless steel A2 UNI 7323	4
220	Nut	Stainless steel A2 UNI 7323	4
260	Lubricating liquid	White mineral oil	348 cc

- [1] Except for DW-DW VOX 300
- [2] Only for single phase
- [3] Only for DW-DW VOX 300
- [4] Only for single phase with float switch
- [5] Only for DW
- [6] Except for DW VOX 150, 200 and 300
- [7] Only for single phase DW 150
- [8] See CONSTRUCTION 3

(3/3) Konstruktion

Pumpenname DW VOX 200

Besteller	Datum 04-July-2019	Firma
Ansprechpartner	Art.-Nr.	Issued by
Telefon	Projekt	Telefon
E-Mail	Projektname EBARA Pump Selector-2180165	E-Mail



REF	PART NAME	MATERIAL
A	Rubber cup	NBR
B	Seat	Ceramic
C	Seal face	Carbon
D	Bellow	NBR
E	Spring	AISI 304
F	Bellow	NBR
G	Seal face	Silicon carbide
H	Seat	Silicon carbide
I	Rubber cup	NBR